

NOTES:

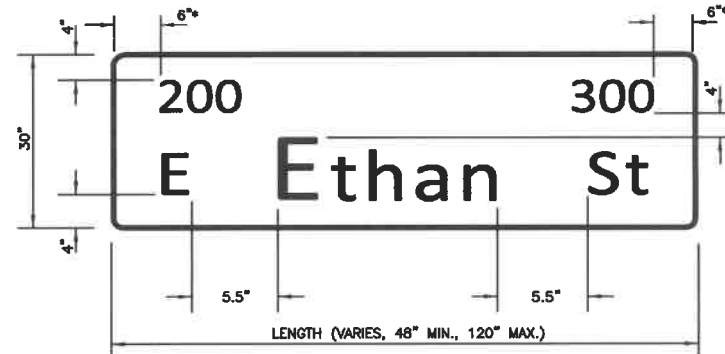
- BACKGROUND FOR PUBLIC STREET NAME SIGNS AND BLOCK NUMBERS SHALL BE GREEN COLORED TYPE III OR TYPE IV HIGH INTENSITY PRISMATIC SHEETING, CONFORMING TO THE MOST RECENTLY ADOPTED VERSION ASTM D4956.
- BACKGROUND FOR PRIVATE STREET NAME SIGNS AND BLOCK NUMBERS SHALL BE BLUE COLORED TYPE III OR TYPE IV HIGH INTENSITY PRISMATIC SHEETING, CONFORMING TO THE MOST RECENTLY ADOPTED VERSION ASTM D4956.
- ALL LETTERING FOR SINGLE NAME STREET NAME SIGNS SHALL BE WHITE REFLECTIVE TYPE III OR TYPE IV HIGH INTENSITY PRISMATIC SHEETING. LETTERING FOR STREET NAMES SHALL BE 12" FOR THE INITIAL CAPITAL LETTER OF EACH WORD AND 9" LOWER CASE FOR ALL OTHER LETTERS. LETTERING FOR THE DIRECTIONAL PREFIX, ROADWAY SUFFIX AND BLOCK NUMBERS SHALL BE 6". FONT TYPE SHALL BE FHWA (HIGHWAY GOTHIC) SERIES C.
- ALL LETTERING FOR DUAL NAME STREET NAME SIGNS SHALL BE WHITE REFLECTIVE TYPE III OR TYPE IV HIGH INTENSITY PRISMATIC SHEETING. LETTERING FOR STREET NAMES SHALL BE 10" FOR THE INITIAL CAPITAL LETTER OF EACH WORD AND 7.5" LOWER CASE FOR ALL OTHER LETTERS. LETTERING FOR THE DIRECTIONAL PREFIX, ROADWAY SUFFIX AND BLOCK NUMBERS SHALL BE 6". FONT TYPE SHALL BE FHWA (HIGHWAY GOTHIC) SERIES C.
- SIGN BLANKS FOR MAST ARM MOUNTED STREET NAME SIGNS SHALL BE 0.125" THICK TEMPERED ALUMINUM ALLOY.



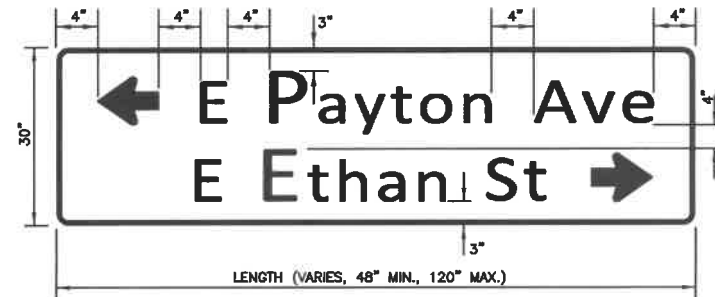
DIMENSIONS:

CORNER RADIUS: 2.25"
 BORDER WIDTH: 1"

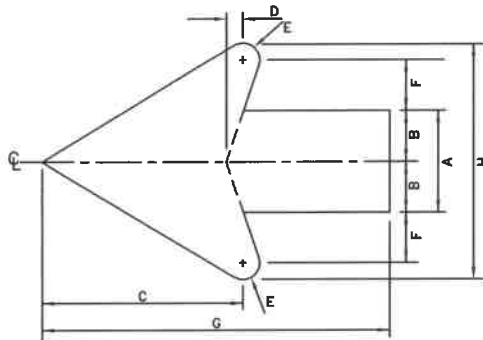
* THE EDGE DISTANCES FOR LONGER STREET NAMES (e.g. FLOATING FEATHER) MAY BE REDUCED TO 3"



STANDARD MAST ARM MOUNTED STREET NAME SIGN WITH BLOCK NUMBERS



STANDARD DUAL NAME MAST ARM MOUNTED STREET NAME SIGN



ARROWHEAD DETAIL

DIMENSIONS			
A	B	C	D
2.2"	1.1"	4.5"	0.35"
E	F	G	H
0.5"	1.5"	7.0"	6.0"

NO.	DATE	BY	DESCRIPTION
1/10	2018	JES	Changed back from Clearview to FHWA Series
2/25	2018	JY	REVISION



SIGNATURES		SHEET TITLE	
Scale: N/A	Drawn By: Jonathan Rank	Standard Mast Arm Mounted Street Name Sign Details	
Date: 4/15/18	Design By: Jonathan Rank		
File: TS-1109.01.DWG	Approved By: Ross Oyes		

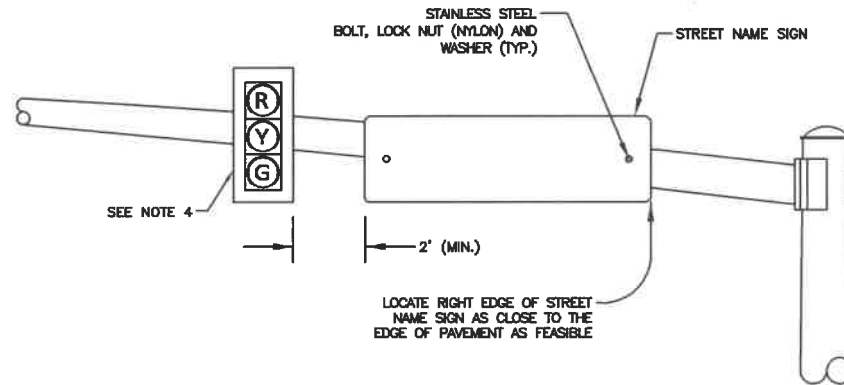
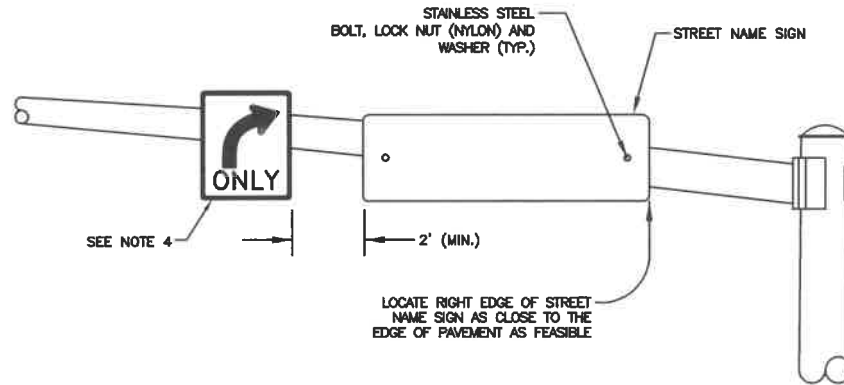
8/28/2018



STANDARD DETAIL NO. TS-1109.01

NOTES:

1. MAST ARM MOUNTED STREET NAME SIGNS SHALL BE FASTENED WITH A PELCO ASTRO SIGN BRACKET ASSEMBLY AS-0144 OR APPROVED EQUIVALENT.
2. SIGN BLANKS FOR MAST ARM MOUNTED STREET NAME SIGNS SHALL BE 0.125" THICK TEMPERED ALUMINUM ALLOY.
3. SEE ACHD SERIES TS-1117 FOR ADDITIONAL MAST ARM MOUNTED STREET NAME SIGN INSTALLATION DETAILS.
4. INSTALL STREET NAME SIGN A MINIMUM OF TWO (2) FEET TO THE RIGHT OF THE RIGHTMOST MOUNTED SIGNAL HEAD OR MAST ARM MOUNTED SIGNAL. VARIATIONS MAY BE ACCEPTED BY THE ACHD TRAFFIC ENGINEER BASED ON SITE SPECIFIC CONDITIONS.



STANDARD MAST ARM MOUNTED STREET NAME SIGN DETAILS

8/28/2018



NO.	DATE	BY	DESCRIPTION
REVISIONS			

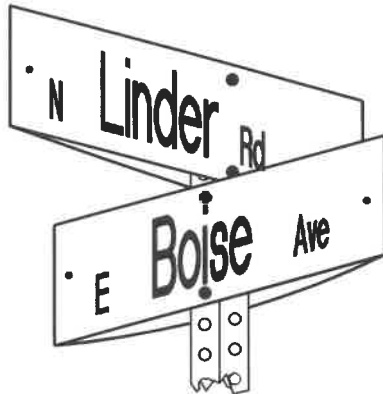


SIGNATURES		SHEET TITLE	
Scale: NTD	Drawn By: Joshua Bain	Standard Mast Arm Mounted Street Name Sign Details	
Date: 4/18/08	Design By: Joshua Bain		
File: TD-1109.02.DWG	Approved By: Ross Lynn		

STANDARD DETAIL NO. TS-1109.02

NOTES:

- STREET NAME SIZES:
MINIMUM SIZE: 9"x18"
MAXIMUM SIZE: 12"x48"
- BACKGROUND FOR PUBLIC ROAD STREET NAME SIGNS SHALL BE GREEN COLOR TYPE II OR TYPE IV HIGH INTENSITY PRISMATIC SHEETING, CONFORMING TO THE MOST RECENTLY ADOPTED VERSION OF ASTM D4956.
- BACKGROUND FOR PRIVATE ROAD STREET NAME SIGNS SHALL BE BLUE COLOR TYPE II OR TYPE IV HIGH INTENSITY PRISMATIC SHEETING, CONFORMING TO THE MOST RECENTLY ADOPTED VERSION OF ASTM D4956.
- ALL LETTERING FOR STREET NAME SIGNS SHALL BE WHITE COLOR TYPE III OR TYPE IV HIGH INTENSITY PRISMATIC SHEETING, CONFORMING TO THE MOST RECENTLY ADOPTED VERSION OF ASTM D4666. FONT TYPE SHALL BE FHWA (HIGHWAY GOTHIC) SERIES B.
- SIGN HEIGHT FROM THE GROUND TO THE BOTTOM OF THE STREET SIGN SHALL BE 7'-0" (MIN).



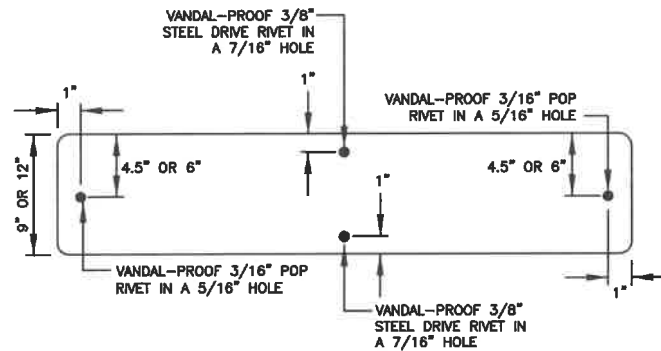
**STREET NAME SIGN
BACK TO BACK
MOUNTING DETAIL**



**STREET NAME SIGN
DETAIL FOR:
MULTI-LANE PUBLIC STREETS,
SPEED LIMIT 45 MPH OR GREATER**



**STREET NAME SIGN
DETAIL FOR:
MULTI-LANE PUBLIC STREETS,
SPEED LIMIT LESS THAN 45 MPH
TWO-LANE STREETS (ANY SPEED LIMIT)
PRIVATE STREETS**



**STREET NAME SIGN
MOUNTING DETAIL**

NO.	DATE	BY	DESCRIPTION
1	06/10	JES	Changed font from Caserview to FHWA Series
2	06/10	JES	Modified back mounting details
3	11/18	JES	Modified mounting details
4	02/11	JES	Modified Caserview font details
5	04/08	JES	Changed letter heights



SIGNATURES		SHEET TITLE	
Scale: NTS	Drawn By: Joshua Beak	Standard Post Mounted Street Name Sign Details	
Date: 4/15/09	Design By: Joshua Beak		
File: TS-1109.03.DWG	Approved By: Ross Oyam		

8/28/2018

STANDARD DESIGN, INC.
TS-1109.03
Sheet 3 of 3

S:\Projects\Boise\Boise\Boise\Standard Post\TS-1109.03.DWG